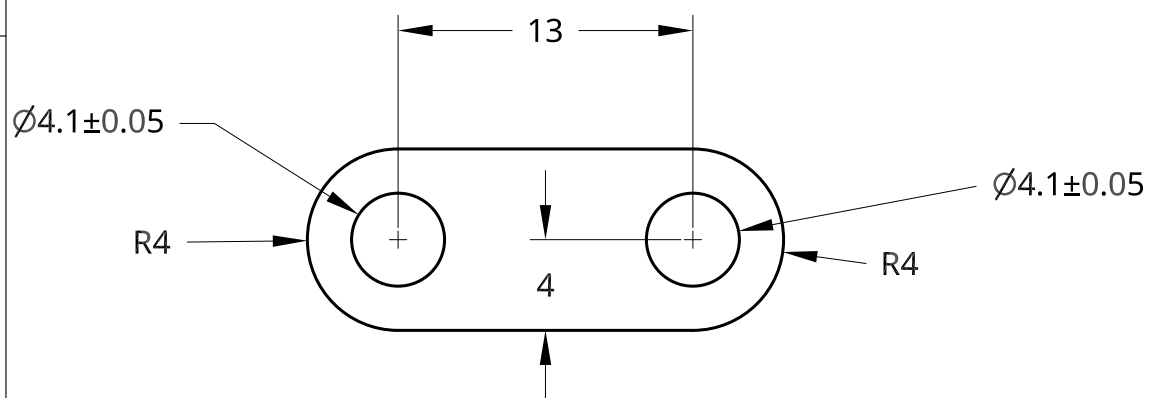
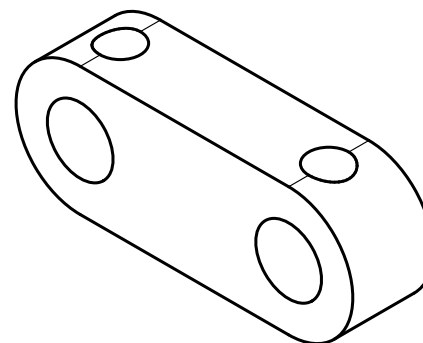
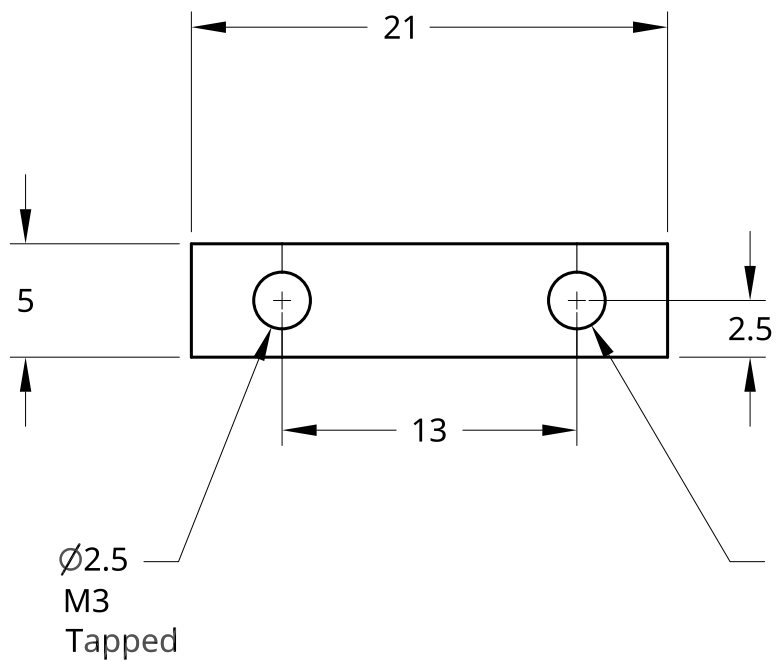
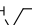



2

1



UNLESS OTHERWISE SPECIFIED, DIMENSIONS ARE IN MILLIMETERS ANGULAR = \pm ° SURFACE FINISH  DO NOT SCALE DRAWING BREAK ALL SHARP EDGES AND REMOVE BURRS THIRD ANGLE PROJECTION 	DRAWN	NAME	DATE	TITLE First Arm_Tapped	
	CHECKED		06/03/2019		
	APPROVED				
	MATERIAL Aluminium (preferably 6082)	FINISH	SIZE A	DWG NO.	REV.
			SCALE 3:1	WEIGHT	SHEET 1 of 1

2

1