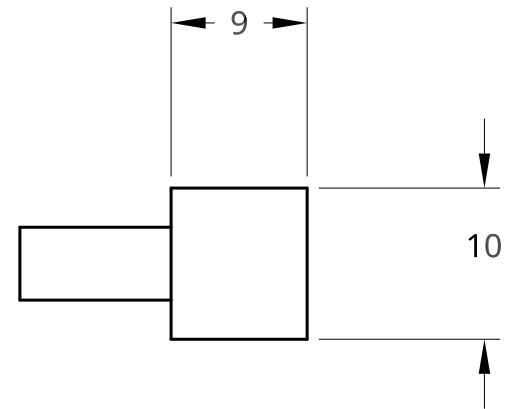
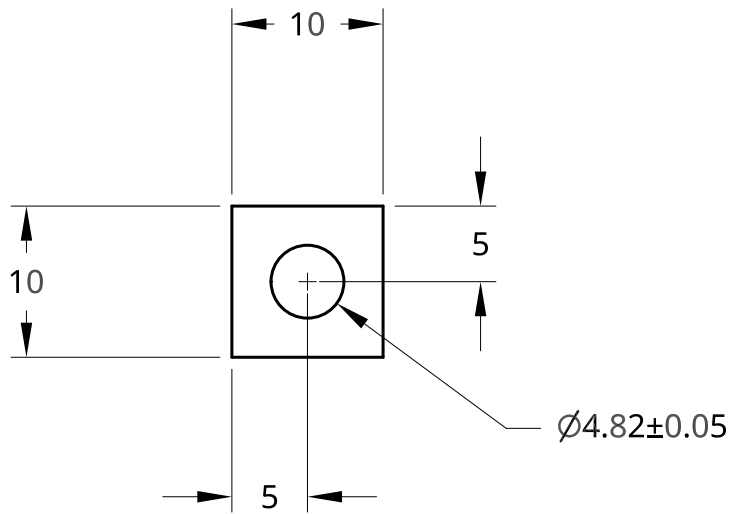
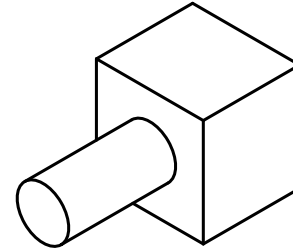
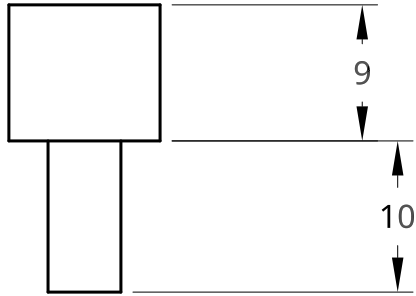




2

1



UNLESS OTHERWISE SPECIFIED, DIMENSIONS ARE IN MILLIMETERS ANGULAR = ± ° SURFACE FINISH  DO NOT SCALE DRAWING BREAK ALL SHARP EDGES AND REMOVE BURRS THIRD ANGLE PROJECTION 	DRAWN	NAME	DATE	TITLE Fork Block	
	CHECKED		06/23/2019		
	APPROVED				
	MATERIAL	FINISH	SIZE	Tolerances +/- 0.1 mm unless stated otherwise (+/- 0.05 mm)	
	Aluminium 6082		A	REV.	
			SCALE	WEIGHT	SHEET
			2:1		1 of 1

2

1

B

B

A

A