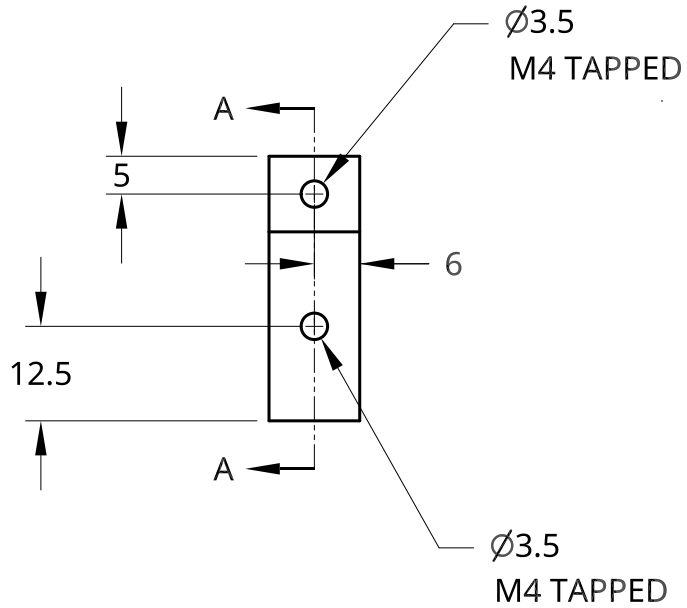
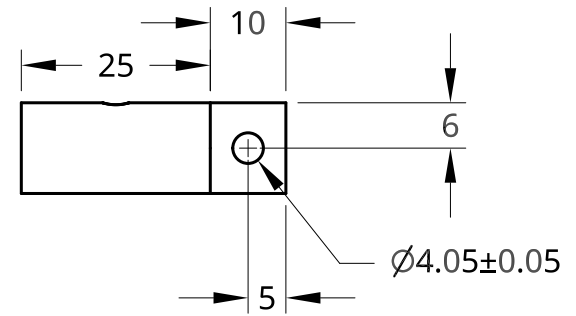
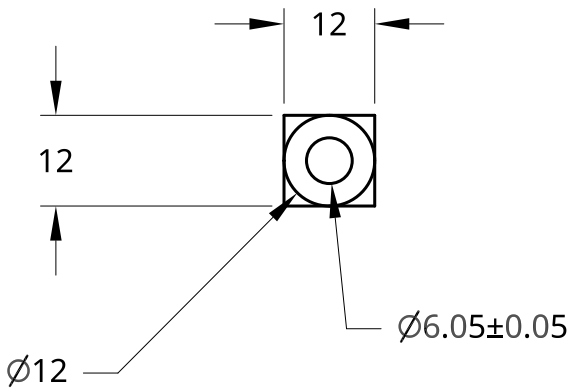
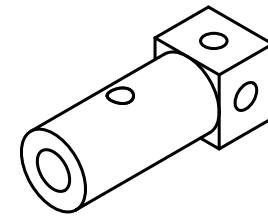
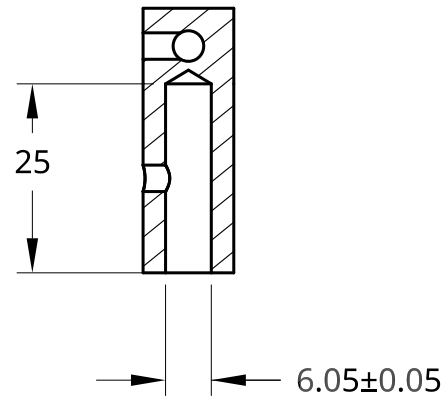



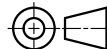
2

1



SECTION A - A



UNLESS OTHERWISE SPECIFIED, DIMENSIONS ARE IN MILLIMETERS ANGULAR = \pm ° SURFACE FINISH  DO NOT SCALE DRAWING BREAK ALL SHARP EDGES AND REMOVE BURRS	NAME	DATE	TITLE Leg Supports	
	DRAWN			
	CHECKED			
	APPROVED			
THIRD ANGLE PROJECTION 	MATERIAL Aluminium 6082	FINISH	SIZE A	DWG NO.
			SCALE 1:1	WEIGHT
			SHEET	1 of 1

2

1

B

B

A

A