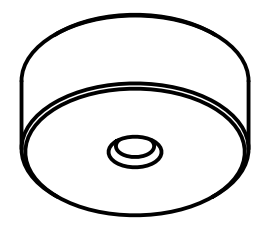
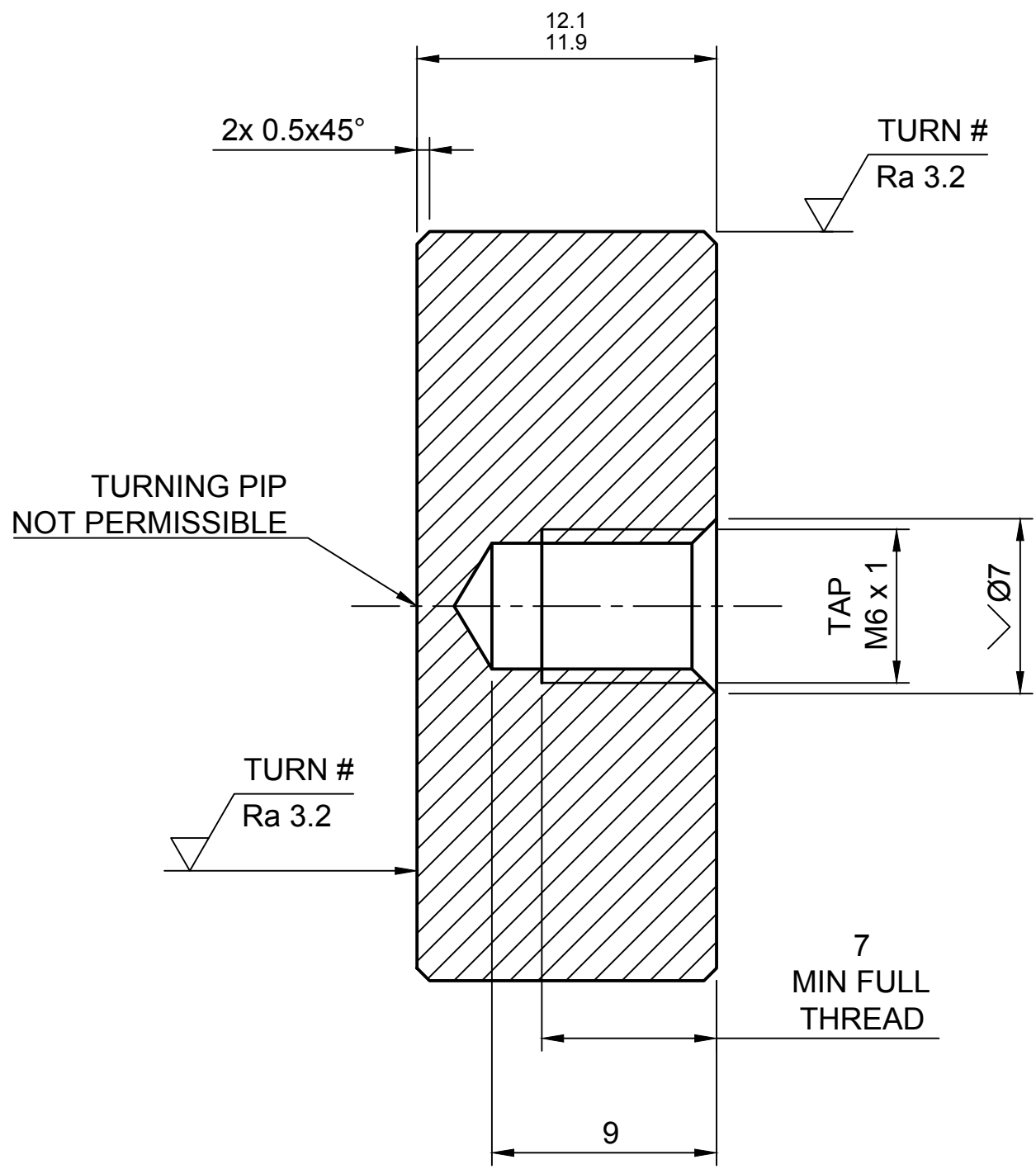
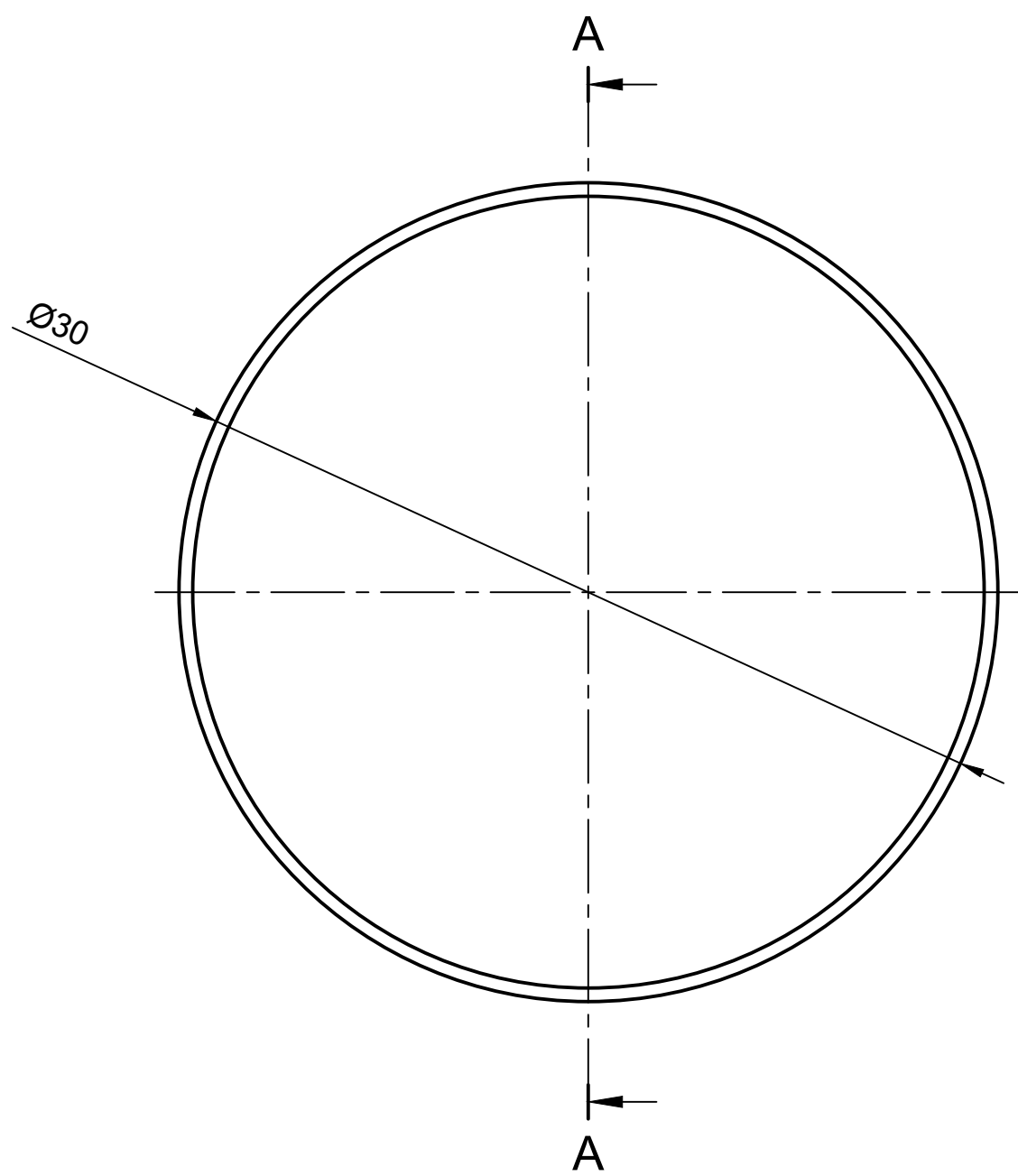


1 2 3 4 5 6 7 8

A  
B  
C  
D  
E  
F



SECTION A-A

NOTES:

- 1) MAKE FROM STAINLESS 304.
- 2) TURNED SURFACES MARKED "# TO BE COSMETIC. SCRATCHES AND BLEMISHES NOT PERMISSIBLE.

Dept.	Technical reference	Created by <b>James Hatherell 06/03/2020</b>	Approved by
ALL DIMENSIONS IN MM STANDARD TOLERANCE OF +/- 0.25MM APPLIES, UNLESS OTHERWISE SPECIFIED		Document type	Document status
		Title <b>Stainless Bonding Plate</b>	DWG No.
Rev.	Date of issue	Sheet <b>1/1</b>	

1 2 3 4 5 6 7 8