

1

2

3

D

D

C

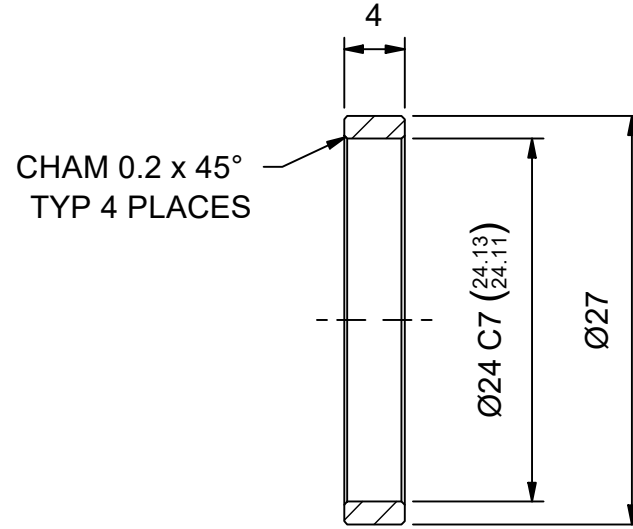
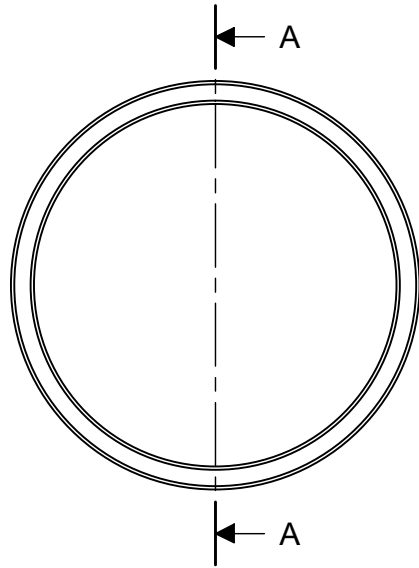
C

B

B

A

A



SECTION A-A
(2:1)

REVISION HISTORY			
MATERIAL:	Aluminum 6061	ESTIMATED MASS:	0.0 kg
		DRAWING TITLE:	
		Drive Spacer	
		3RD ANGLE PROJECTION	
SCALE:	2:1	SHEET No:	1 / 1
		DRAWING No:	Drive Spacer
		REV:	A

1

2

3