

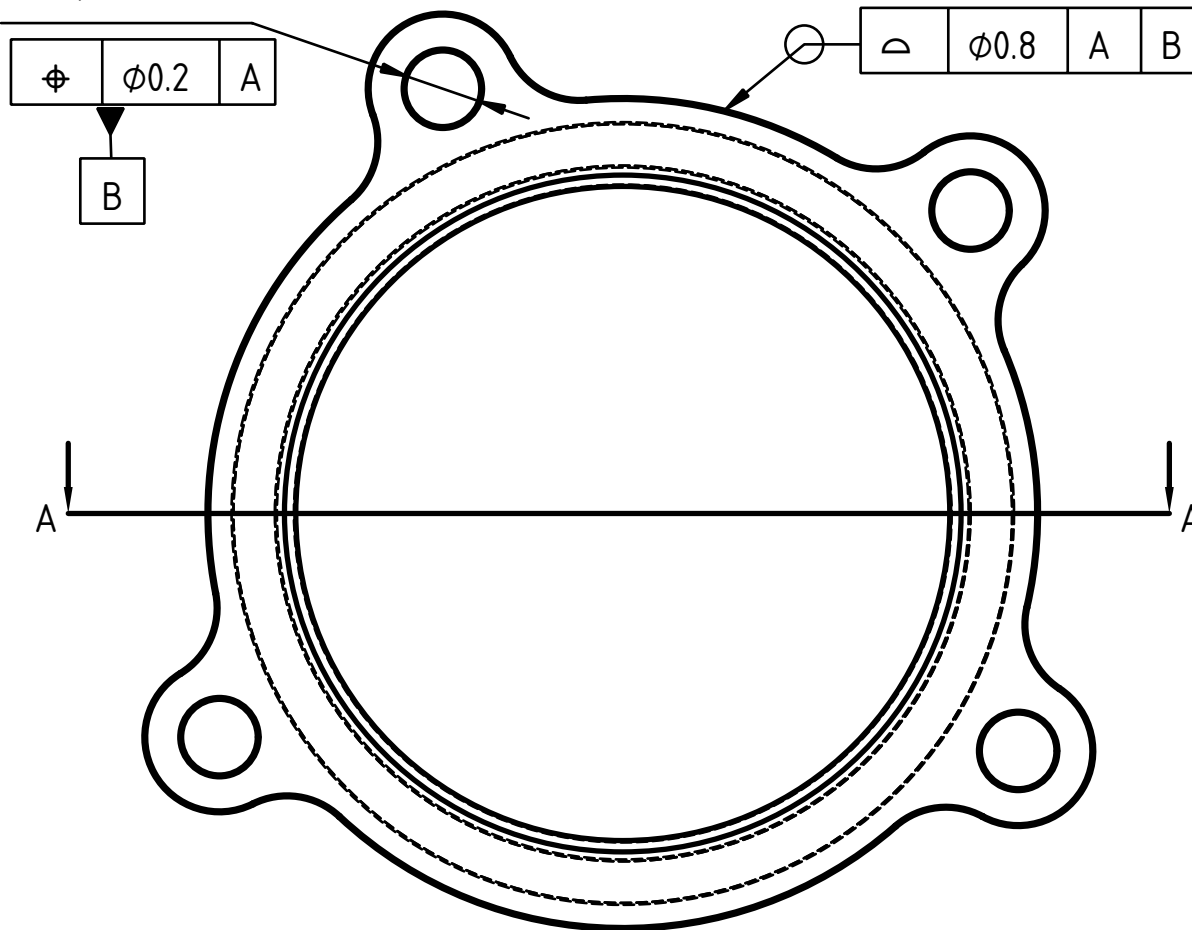
NOTES:

1. 3D MODEL IS MASTER
2. MATERIAL - SS 316
3. REMOVED ALL SHARP EDGES
4. ALL DIMENSIONS IN MM



Isometric View (Scale 0.5:1)

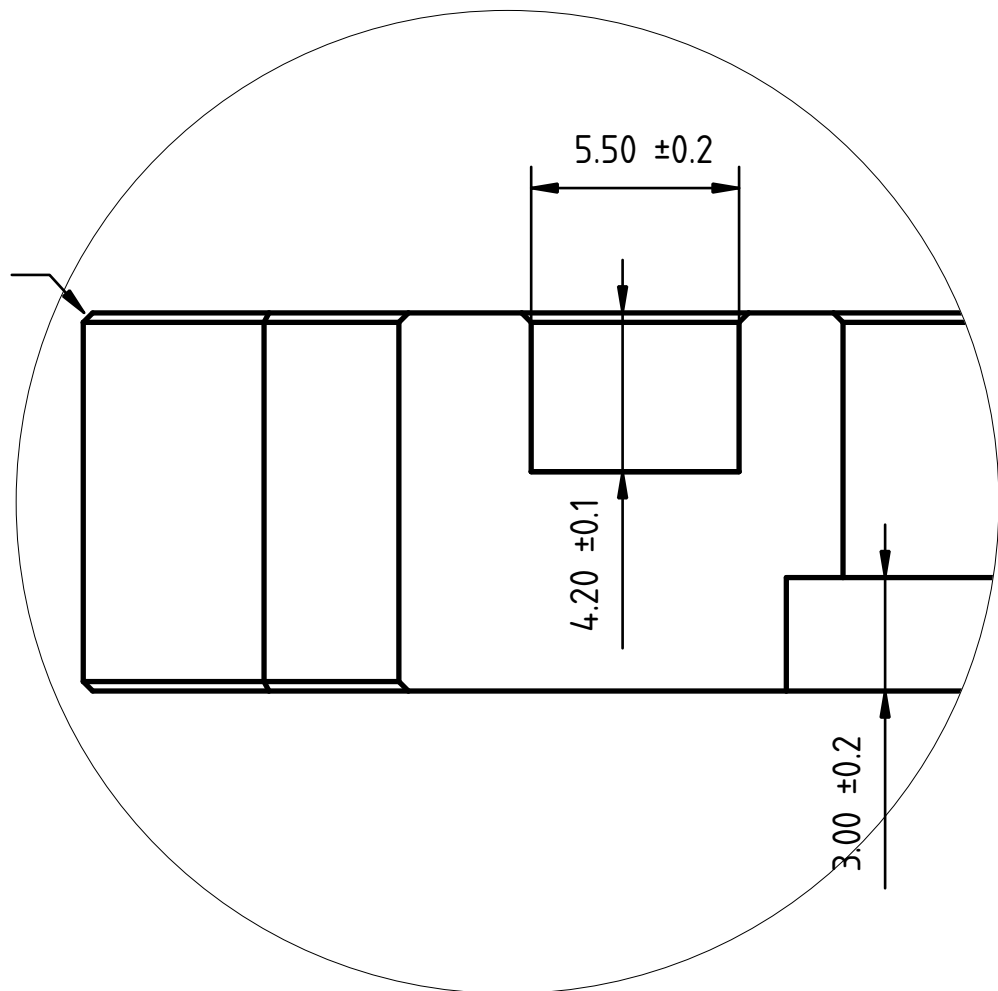
4x  $\phi 10.00 \pm 0.1$



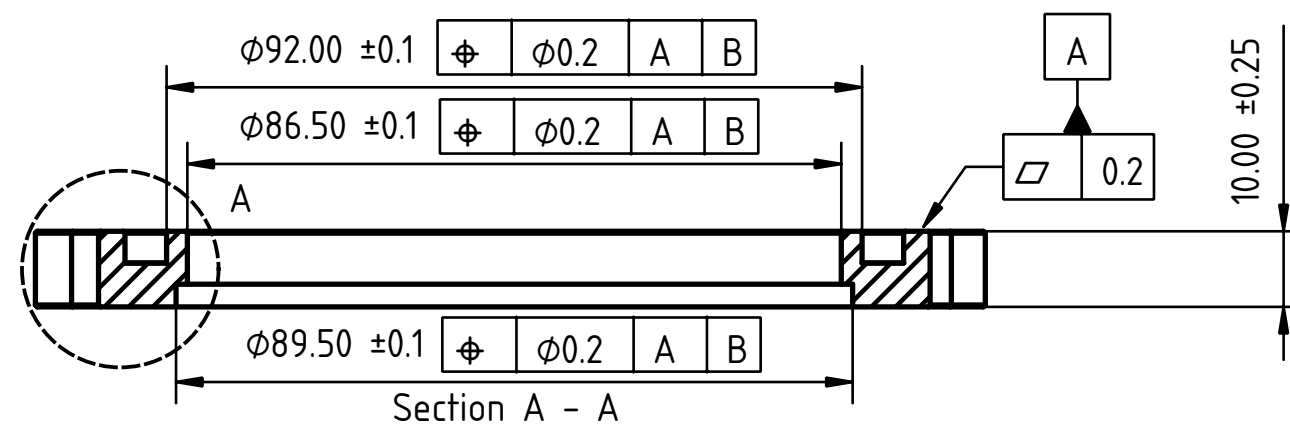
Front View

Left View

45 DEG x 0.25  
TYPICAL



Detail A



Section A - A

DESIGNED BY:  
P CRUMPLER

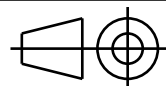
DATE:  
05/03/2021

CHECKED BY:  
N/A

DATE:  
N/A

SIZE

A3



TURBO FLANGE



SCALE

1:1

WEIGHT (kg)

0.29

DRAWING NUMBER

N/A

SHEET

1 OF 1

I	-
H	-
G	-
F	-
E	-
D	-
C	-
B	-
A	05/03/2021