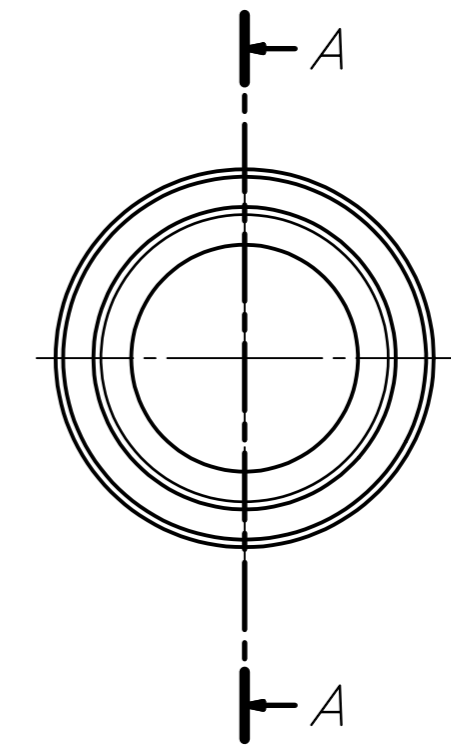
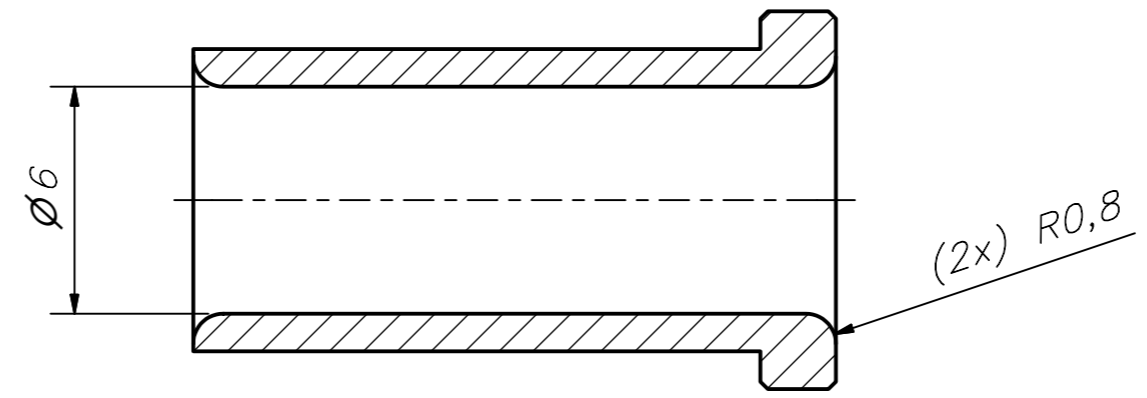
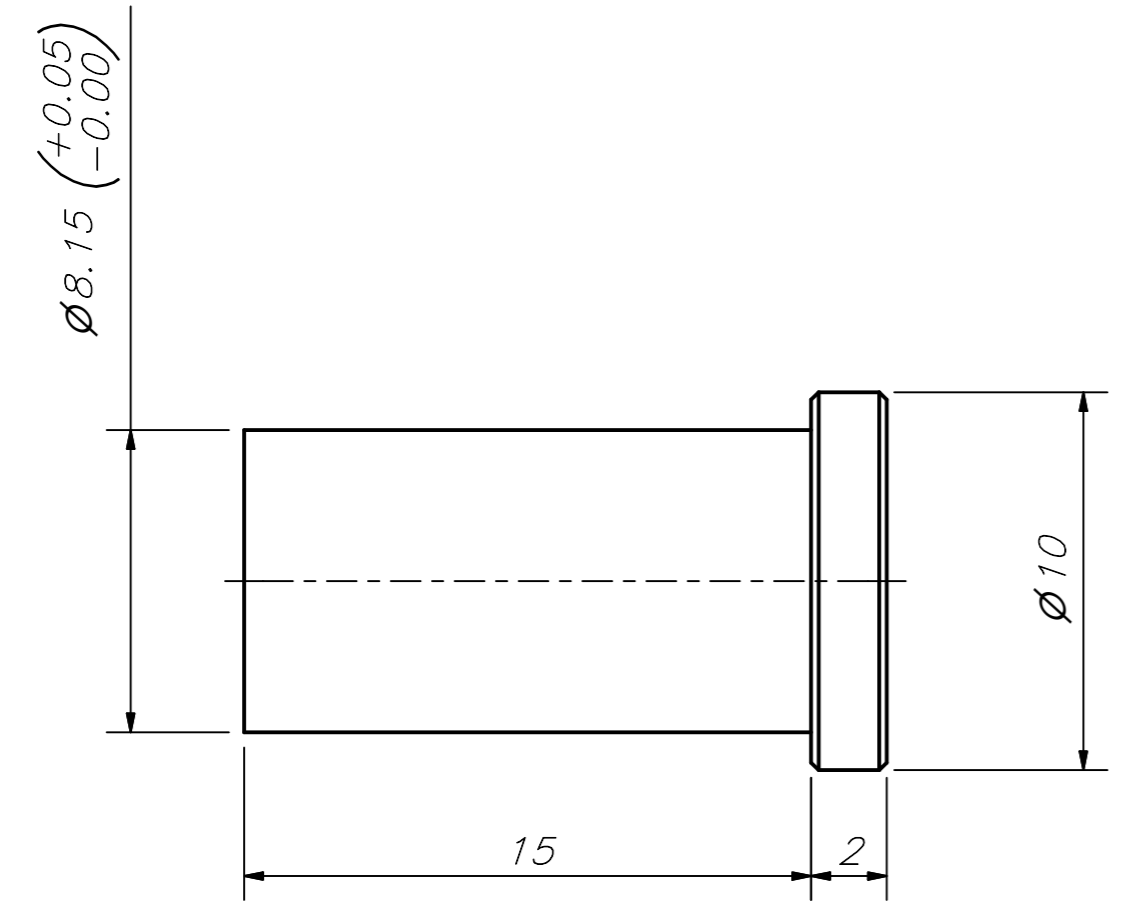


REVISION HISTORY				
ZONE	REV	DESCRIPTION	DATE	APPRV'D
	A	INITIAL RELEASE	20FEB2017	MB
	B	DIA 8 c8 WAS DIA 8 ±0,1	12JUN2017	MB
	C	DIA 8.15 WAS 8 c8	08JUN2021	EU



SECTION A-A
(5 : 1)

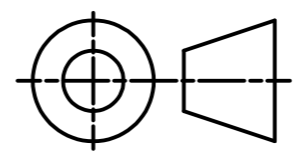
MATERIAL: STAINLESS STEEL, 316
 FINISH: CLEAN
 UNLESS OTHERWISE SPECIFIED:
 GENERAL TOLERANCE ±0.1
 SURFACE FINISH 1.6/

THE REPRODUCTION, DISTRIBUTION AND UTILIZATION OF THIS DOCUMENT AS WELL AS THE COMMUNICATION OF ITS CONTENTS TO OTHERS WITHOUT EXPRESS AUTHORIZATION IS PROHIBITED. OFFENDERS WILL BE HELD LIABLE FOR THE PAYMENT OF DAMAGES. ALL RIGHTS RESERVED IN THE EVENT OF THE GRANT OF A PATENT, UTILITY MODEL OR DESIGN.

© BENTO BIOWORKS LTD

DO NOT SCALE – ASK!

	DRAWN	20/02/2017
PROJECT BENTO LAB	CHECKED	20/02/2017
	APPROVED	20/02/2017



FIRST ANGLE PROJECTION
 ISO 8888
 UNLESS OTHERWISE SPECIFIED:
 ALL DIMENSIONS IN mm
 ALL SURFACE FINISHES IN MICRONS Ra
 GENERAL TOLERANCES TO ISO 2768-Mk

DESCRIPTION AXLE, HINGE				
SCALE 5 : 1	SHEET No. 1/1	PART NUMBER A2 BL-0203	REVISION C	