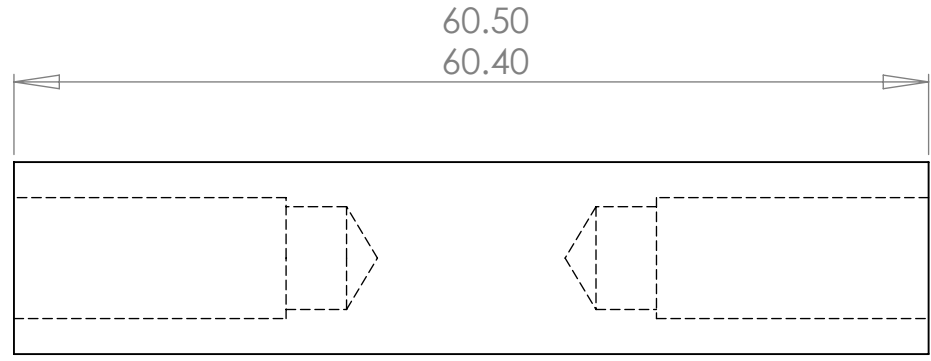


Ø 6.80 ∇ 22
M8x1.25 - 6H ∇ 18 BOTH ENDS



DIMENSIONS ARE IN MM
TOLERANCES: \pm 0.2
UNLESS STATED OTHERWISE

MATERIAL ALUMINIUM 6082

FINISH NONE

DO NOT SCALE DRAWING

TITLE:

CROSS BAR

DWG. NO. 006

REV
1

SHEET 1 OF 1