

1

2

3

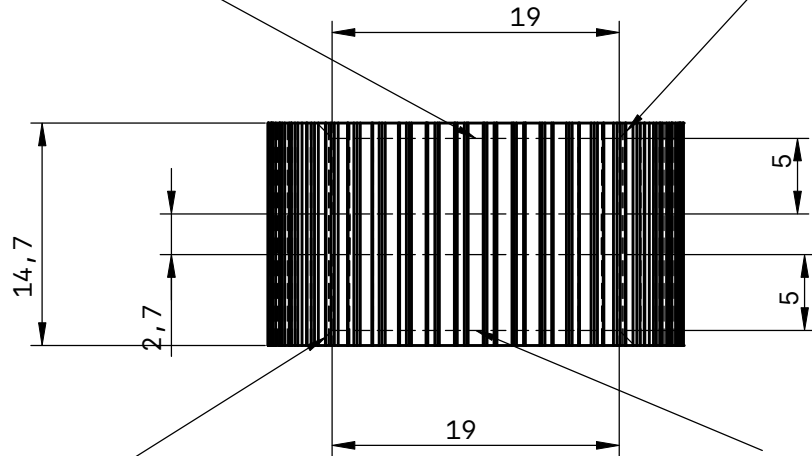
4

5

6

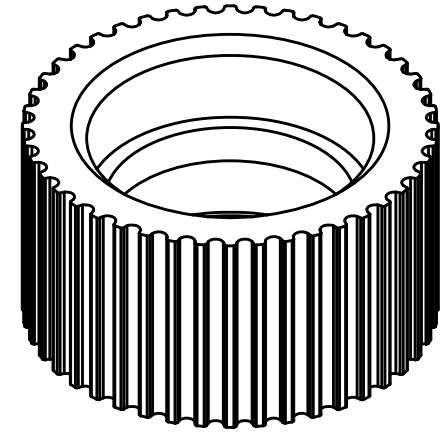
Press Fit for 626-2RS Bearing
M6 (-0.004mm/-0.0017mm)

1mm Chamfer



Press Fit for 626-2RS Bearing
M6 (-0.004mm/-0.0017mm)

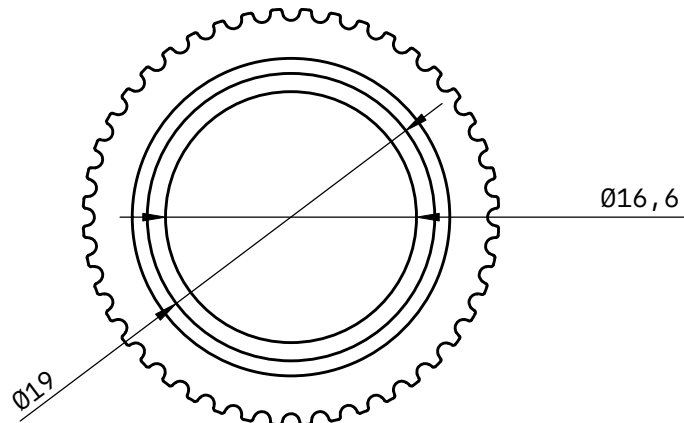
1mm Chamfer

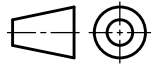


Material:
?

Tooth Profile:
GT3
Tooth Pitch:
2mm
44T
PO:28.01mm
OD:27.50mm

*****Notes*****



TITLE Y401356-IH-001		
LAST UPDATED 09/09/21	UNITS mm	SHEET 1 / 1
FIRST ANGLE PROJECTION 	SCALE 2:1	SIZE A4

1

2

3

4

5

6